

**⚠ WARNINGS & DISCLAIMERS**

By installing this product you acknowledge that the suspension of this vehicle has been modified. As a result, this vehicle may handle differently than that of factory-equipped vehicles. As with any vehicle, Extreme Care must be used to prevent loss of control or roll-over during sharp turns or abrupt maneuvers. Always wear seat belts, and drive safely, recognizing that reduced speeds and specialized driving techniques may be required. Failure to drive this vehicle safely may result in serious injury or death. Do not drive this vehicle unless you are familiar with its unique handling characteristics and are confident of your ability to maintain control under all driving conditions. Some modifications (and combinations of modifications) are not recommended and may not be permitted in your state. Consult your owner's manual, the instructions accompanying this product, and state laws before undertaking these modifications. You are responsible for the legality and safety of the vehicle you modify using these components. If using ReadyAIR products in conjunction with a 5th Wheel Hitch that requires replacement of any fasteners provided by the hitch manufacturer, consulting the hitch manufacturer must be done to determine if the fastener strength provided with ReadyAIR products is acceptable for safe operation of their product. If using tire snow chains or cables with ReadyAIR products, ensure that there is adequate clearance between the tire chain and air spring assembly to avoid damage and/or failure.

**Limited Lifetime Warranty**

ReadyAIR provides a limited lifetime warranty to the original purchaser of its load support products, that the product be free from defects in workmanship and materials when used on cars and trucks as specified by ReadyAIR and under normal operating conditions, subject to the requirements and exclusions set forth in the full Limited Warranty and Return Policy that is available at: [ReadyLIFT.com/ReadyAIR/warranty](http://ReadyLIFT.com/ReadyAIR/warranty).

**READYGUARD Powertrain Warranty**

ReadyLIFT is proud to offer its customers a FREE powertrain warranty. The most popular line of suspension products on the market just got better with the introduction of an unprecedented 5 year - 60,000 mile Powertrain Warranty. To register please visit: [ReadyLIFT.com/ready-guard](http://ReadyLIFT.com/ready-guard)

**IMPORTANT INFO!**

**⚠ DO NOT OVERLOAD VEHICLE**

This product does not increase your vehicle's maximum load capacity. Never exceed GVWR.

**⚠ DO NOT OVER INFLATE**

Do not exceed 150psi in the air springs.

**⚠ DO NOT UNDER INFLATE**

Maintain at least 10 psi in air springs when driving unloaded.

**⚠ ADDING AIR**

When loaded, add air until stock ride height is achieved.

**⚠ CHECK TIRE CLEARANCE**

Make sure that there is at least 1" clearance between the inside of tire and air spring assembly.

**⚠ AVOID AIR LINE DAMAGE**

Do not route air lines near hot exhaust or sharp corners.

**⚠ CHECK YOUR HARDWARE**

Retorque all fasteners after 500 miles.

**PARTS INCLUDED**

QTY	DESCRIPTION
1	DRIVER SIDE AIR SPRING ASSEMBLY
1	PASSENGER SIDE AIR SPRING ASSEMBLY
1	HARDWARE KIT
1	MANUAL INFLATION KIT
<b>HARDWARE KIT CONTENTS</b>	
2	5/8"-11 1.5" HEX HEAD BOLT GRADE 5
2	5/8" LOCK WASHER
2	5/8" FLAT WASHER
2	3/8-16 5.0" HEX HEAD BOLT GRADE 5
2	3/8-16 4.75" HEX HEAD BOLT GRADE 5
16	3/8"-16 NYLOCK NUT GRADE 8
8	3/8-16 4.5" CARRIAGE BOLT
24	3/8" FLAT WASHER
4	AIR SPRING LOWER STRAP 3.5"
2	2020+ GM 2500/3500 FRAME HOOK
2	2020+ GM 2500/3500 ASU STRAP
2	M8X1.25 20MM THREAD FORMING BOLT
2	32200 JOUNCE BUMPER SPACER ANODIZE BLACK
1	THREAD LOCK TUBE (RED)
2	5/8"-11 QUARTER TURN FRAME NUT
4	3/8"-16, 1.5" HEX HEAD BOLT GRADE 8
<b>MANUAL INFLATION KIT CONTENTS</b>	
16	8" ZIP TIES
2	INFLATION VALVE TO 1/4" PTC FITTING
1	16' ROLL 1/4" AIRLINE

**TOOLS REQUIRED**

13MM SOCKET	DEADBLOW HAMMER
9/16" DEEP SOCKET	JACK & JACK STANDS
9/16" WRENCH	TORQUE WRENCH
15/16" SOCKET	5/16" DRILL BIT & DRILL
RAZOR KNIFE	AIR LINE CUTTER
SOCKET DRIVER	SAFETY GLASSES

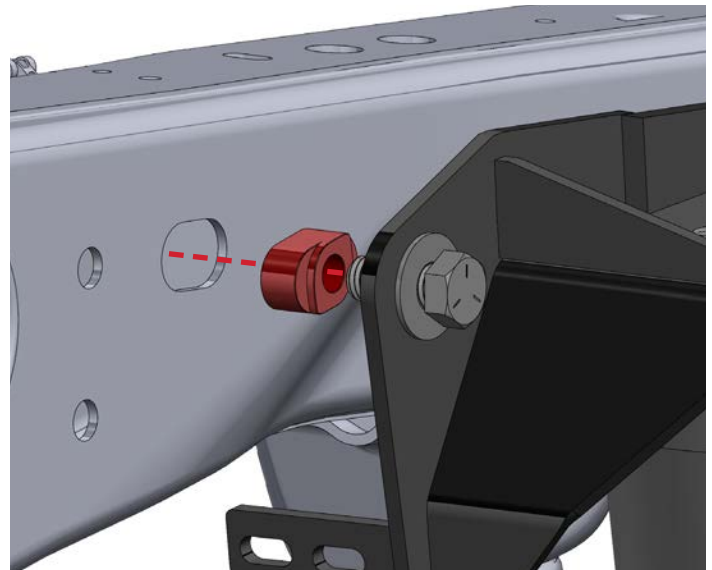
**⚠ ATTENTION!**

If your ReadyAIR product has a damaged or missing part, please contact customer service directly and a new replacement part will be sent to you immediately. For warranty issues, please return to the place of installation and contact ReadyAIR.

**INSTALLATION PROCESS**

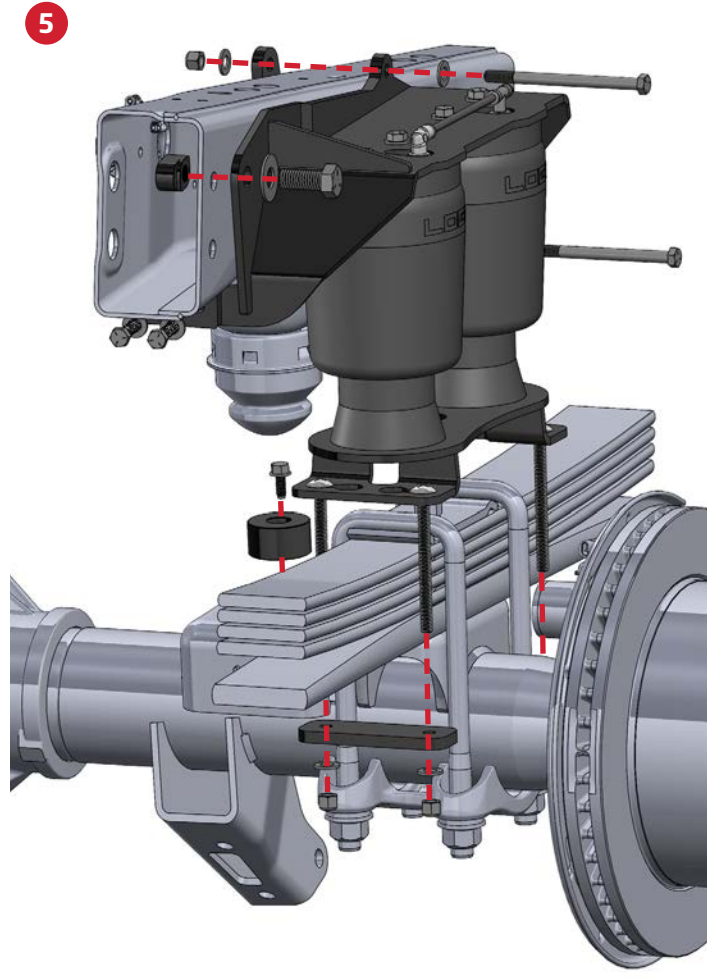
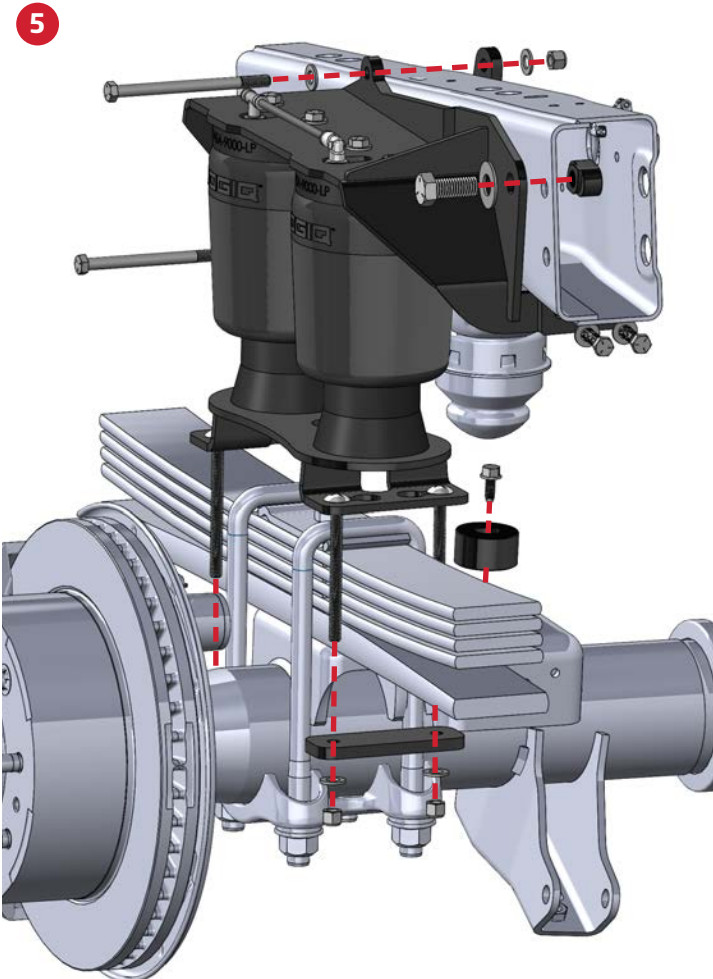
<b>1</b>	Note original ride height measurement from center of rear fender arch to ground.
<b>2</b>	Safely lift the truck and support on jack stands.
<b>3</b>	Remove rear wheels.
<b>4</b>	Using the provided cutting template, carefully trim fender liner to provide clearance for spring assembly.
<b>5</b>	<b>Fit Air Spring assemblies to frame:</b> Loosely thread the supplied 5/8" bolt into the 1/4 turn nut through the front hole in the bracket, insert nut into frame rail hole and snug bolt. <b>TIP: Pull upper bracket towards you to put pressure on the 1/4 turn nut to keep it from spinning until you have approximately 1/16" of play, then tighten bolt.</b>

**1/4 TURN NUT**



**PASSENGER SIDE**

**DRIVER SIDE**

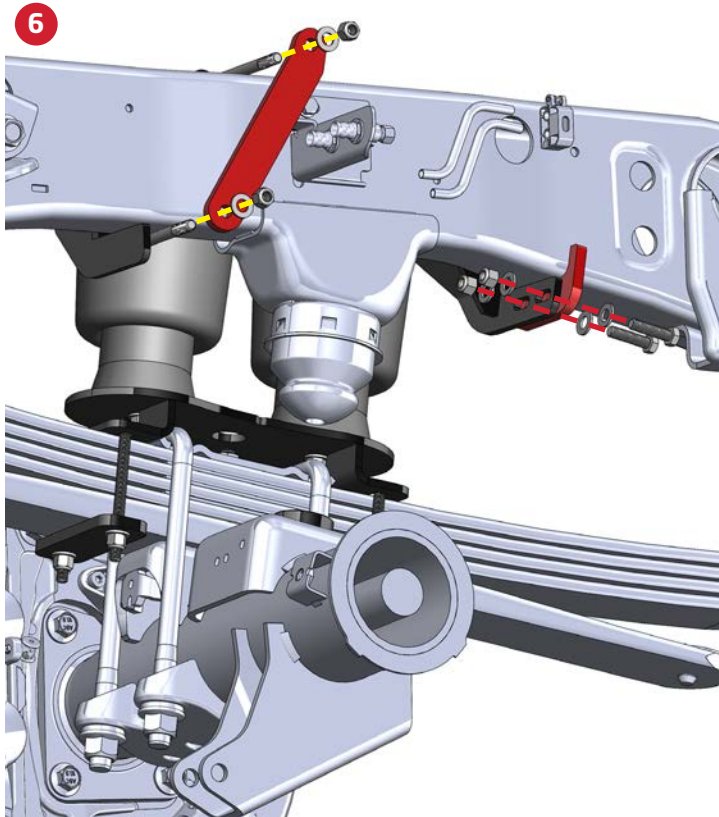


#### INSTALLATION PROCESS CONT'D

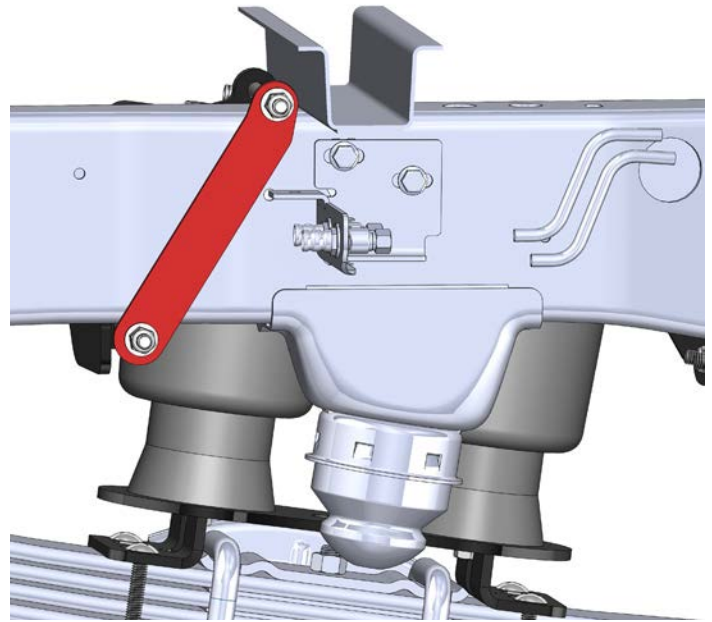
- 6** Use the supplied 3/8" hardware and frame back strap to attach the rear of air spring assembly to frame.

**NOTE:** Position the upper bracket so that the top ear has about 1/4" of clearance to the bed rail for both short and long beds. Short bed trucks locate behind the bed rail, while long bed trucks locate in front of the bed rail. If necessary, tap with a deadblow hammer to finalize positioning.

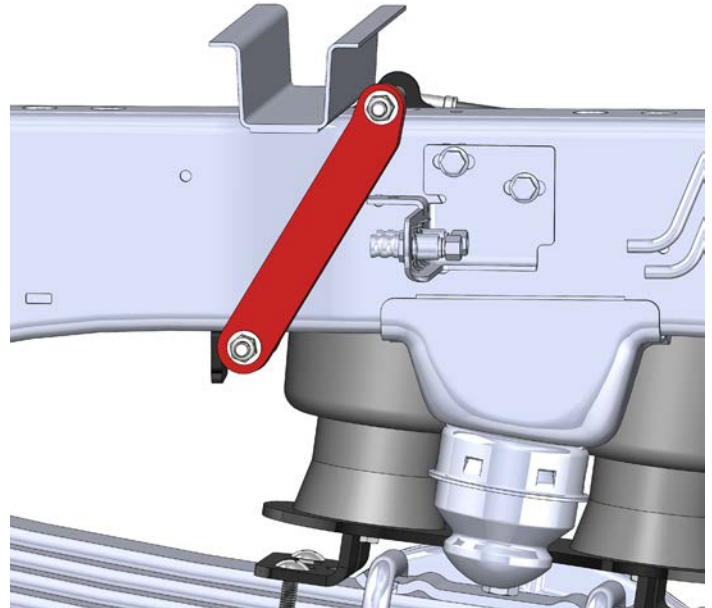
- 7** Check to make sure that air spring assembly fits tightly against the frame and torque **3/8" bolts to 31 lb.ft** and **5/8" to 110 lb.ft.**



#### SHORT BED



#### LONG BED



**INSTALLATION PROCESS CONT'D**

<b>8</b>	Install lower frame hook as shown (hook should be on the outside face of the bracket). Snug the hardware making sure that the hook is tight against backside of the frame. Torque to <b>44 lb.ft.</b>
<b>9</b>	Apply downward force to extend the air springs, then mount the lower bracket to the leaf springs using the supplied carriage bolts, washers and nuts. <b>Make sure that the lower bracket is centered over the U-bolt saddle.</b> Torque to <b>20 lb.ft.</b>
<b>10</b>	Install bump stop spacers onto the axle pad using the supplied thread forming bolts and red thread locker. Torque to <b>10 ft.lbs. DO NOT OVERTIGHTEN!</b>
<b>11</b>	Mount inflation valves at desired location using a 5/16" drill bit.
<b>12</b>	Route air line from each inflation valve to each air fitting tee on both of the air spring assemblies. <b>Avoid hot exhaust and sharp edges. Cut air line square and free from burrs with air line cutter or razor blade!</b>
<b>13</b>	Final Safety Checks:
	<ul style="list-style-type: none"> <li>• Check for leaks at fittings with soapy water</li> <li>• Check tire clearance to air spring (more than 1")</li> <li>• Verify all fasteners are torqued properly</li> <li>• Verify at least 10 psi in air springs before driving</li> </ul>

