

⚠ WARNINGS & DISCLAIMERS

By installing this product you acknowledge that the suspension of this vehicle has been modified. As a result, this vehicle may handle differently than that of factory-equipped vehicles. As with any vehicle, Extreme Care must be used to prevent loss of control or roll-over during sharp turns or abrupt maneuvers. Always wear seat belts, and drive safely, recognizing that reduced speeds and specialized driving techniques may be required. Failure to drive this vehicle safely may result in serious injury or death. Do not drive this vehicle unless you are familiar with its unique handling characteristics and are confident of your ability to maintain control under all driving conditions. Some modifications (and combinations of modifications) are not recommended and may not be permitted in your state. Consult your owner's manual, the instructions accompanying this product, and state laws before undertaking these modifications. You are responsible for the legality and safety of the vehicle you modify using these components. If using ReadyAIR products in conjunction with a 5th Wheel Hitch that requires replacement of any fasteners provided by the hitch manufacturer, consulting the hitch manufacturer must be done to determine if the fastener strength provided with ReadyAIR products is acceptable for safe operation of their product. If using tire snow chains or cables with ReadyAIR products, ensure that there is adequate clearance between the tire chain and air spring assembly to avoid damage and/or failure.

Limited Lifetime Warranty

ReadyAIR provides a limited lifetime warranty to the original purchaser of its load support products, that the product be free from defects in workmanship and materials when used on cars and trucks as specified by ReadyAIR and under normal operating conditions, subject to the requirements and exclusions set forth in the full Limited Warranty and Return Policy that is available at: ReadyLIFT.com/ReadyAIR/warranty.

READYGUARD Powertrain Warranty

ReadyLIFT is proud to offer its customers a FREE powertrain warranty. The most popular line of suspension products on the market just got better with the introduction of an unprecedented 5 year - 60,000 mile Powertrain Warranty. To register please visit: ReadyLIFT.com/ready-guard

IMPORTANT INFO!

⚠ DO NOT OVERLOAD VEHICLE

This product does not increase your vehicle's maximum load capacity. Never exceed GVWR.

⚠ DO NOT OVER INFLATE

Do not exceed 150psi in the air springs.

⚠ DO NOT UNDER INFLATE

Maintain at least 10 psi in air springs when driving unloaded.

⚠ ADDING AIR

When loaded, add air until stock ride height is achieved.

⚠ CHECK TIRE CLEARANCE

Make sure that there is at least 1" clearance between the inside of tire and air spring assembly.

⚠ AVOID AIR LINE DAMAGE

Do not route air lines near hot exhaust or sharp corners.

⚠ CHECK YOUR HARDWARE

Retorque all fasteners after 500 miles.

PARTS INCLUDED

QTY	DESCRIPTION
1	DRIVER SIDE AIR SPRING ASSEMBLY
1	PASSENGER SIDE AIR SPRING ASSEMBLY
1	HARDWARE KIT
1	MANUAL INFLATION KIT
HARDWARE KIT CONTENTS	
4	M16-2 X 50MM HEX HEAD BOLT GRADE 8.8
4	5/8"-11 2" CARRIAGE BOLT GRADE 8
4	NUT 5/8"-11 GRADE 8
4	5/8" FLAT WASHER
4	5/8" SPLIT LOCK WASHER
4	WIRE BOLT LEAD
4	RECTANGLE WASHER FOR CARRIAGE BOLT 5/8"
2	JOUNCE BUMPER SPACER W/ HW BAG
8	3/8-16 5" CARRIAGE BOLT GRADE A
24	3/8" FLAT WASHER
16	3/8"-16 NYLOCK NUT GRADE 8
4	LOWER FRAME HOOKS
4	AIR SPRING LOWER STRAP 3.5"
8	3/8"-16, 1.375" HEX HEAD BOLT GRADE 8
MANUAL INFLATION KIT CONTENTS	
16	8" ZIP TIES
2	INFLATION VALVE TO 1/4" PTC FITTING
1	16' ROLL 1/4" AIRLINE

TOOLS REQUIRED

9/16" DEEP SOCKET	JACK & JACK STANDS
13 MM SOCKET	NEEDLE NOSE PLIERS
15/16" WRENCH & SOCKET	TORQUE WRENCH
TORQUE ADAPTER WITH 15/16" CROWFOOT)	5/16" DRILL BIT & DRILL
SOCKET DRIVER	AIR LINE CUTTER (RAZOR BLADE)
SAFETY GLASSES	MAGNETIC TOOL (OPTIONAL)

⚠ ATTENTION!

If your ReadyAIR product has a damaged or missing part, please contact customer service directly and a new replacement part will be sent to you immediately. For warranty issues, please return to the place of installation and contact ReadyAIR.

INSTALLATION INSTRUCTIONS

REV.02

4.28.2022

88-32110 GM 2500/3500 (2011-2019)
(WITHOUT OVERLOAD SPRING)

INSTALLATION PROCESS

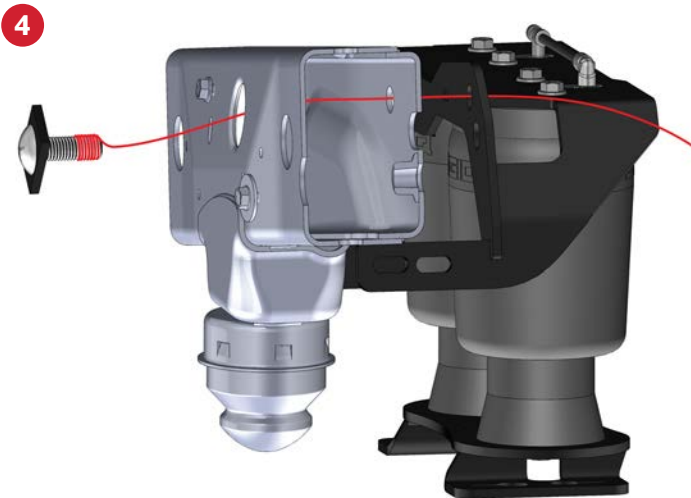
- 1 Note original ride height measurement from center of rear fender arch to ground.
- 2 Safely lift the truck and support on jack stands.
- 3 Remove rear wheels.

IMPORTANT: Use the appropriate diagram for the specific model year range of truck to locate the proper bolt holes for air spring upper bracket installation (**2011-2015** or **2016-2019**).

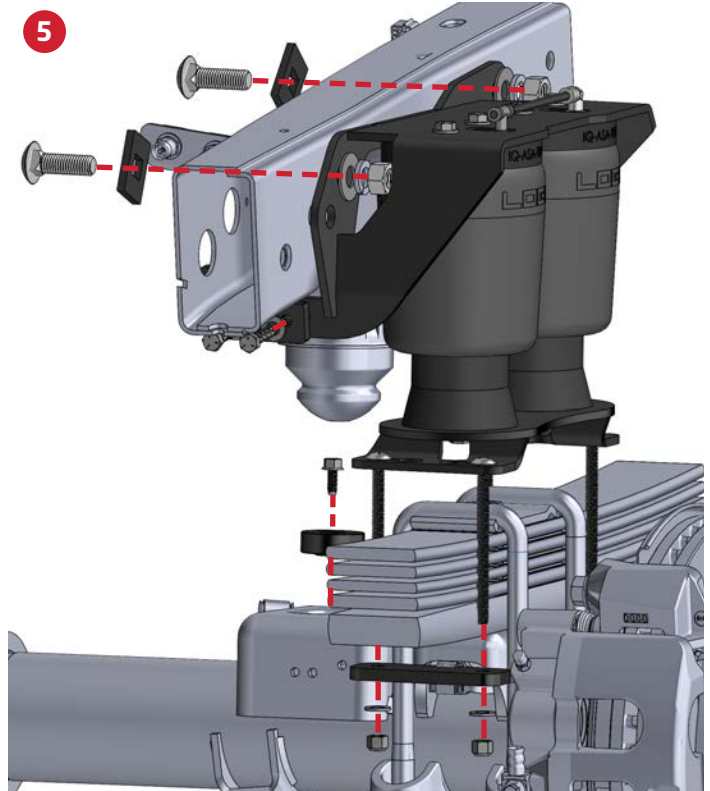
- 4 **2011-2015 Trucks** - Using the two upper holes on the air spring bracket, install carriage bolts through carriage bolt plates and attach wire bolt lead to threads. Feed wire lead through the hole in the back of the frame to locate bolts into the proper position. *See optional diagram if installing with an aftermarket 5th wheel hitch.

- 5 Fit air spring assemblies to frame: Use caution when removing wire lead to avoid dropping bolts into the frame. Fasten using washers, lock washers, and nuts. Torque to **110 lb.ft** using a 15/16" crowfoot.

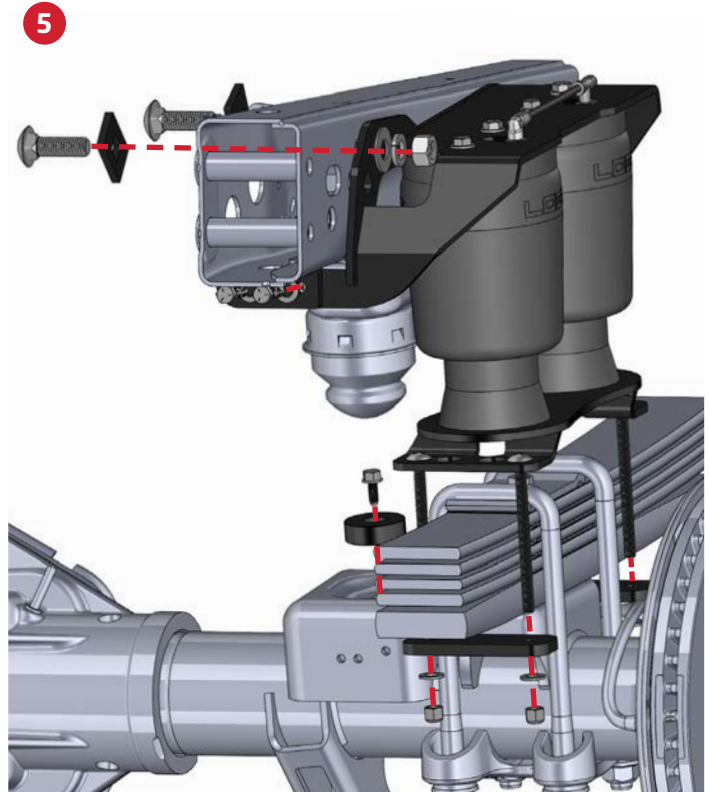
2011-2015



2011-2015 PASSENGER SIDE



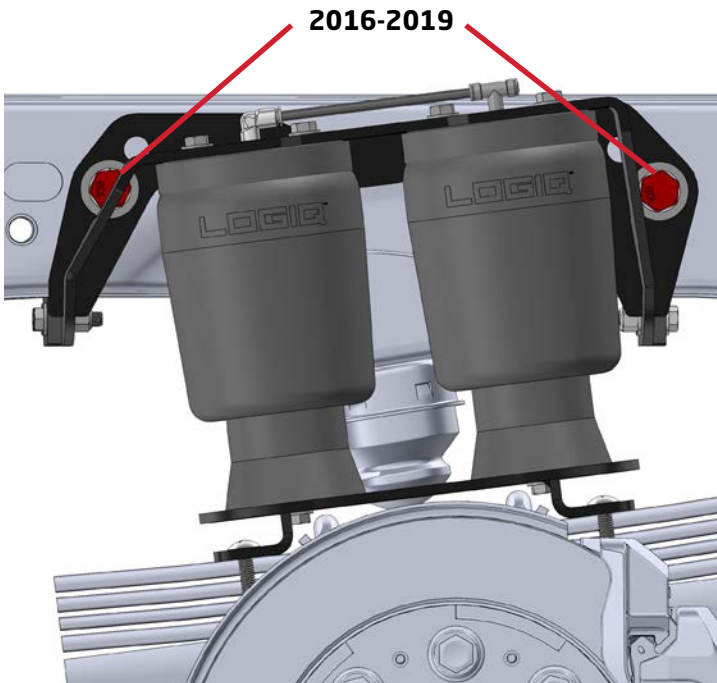
2011-2015 DRIVER SIDE



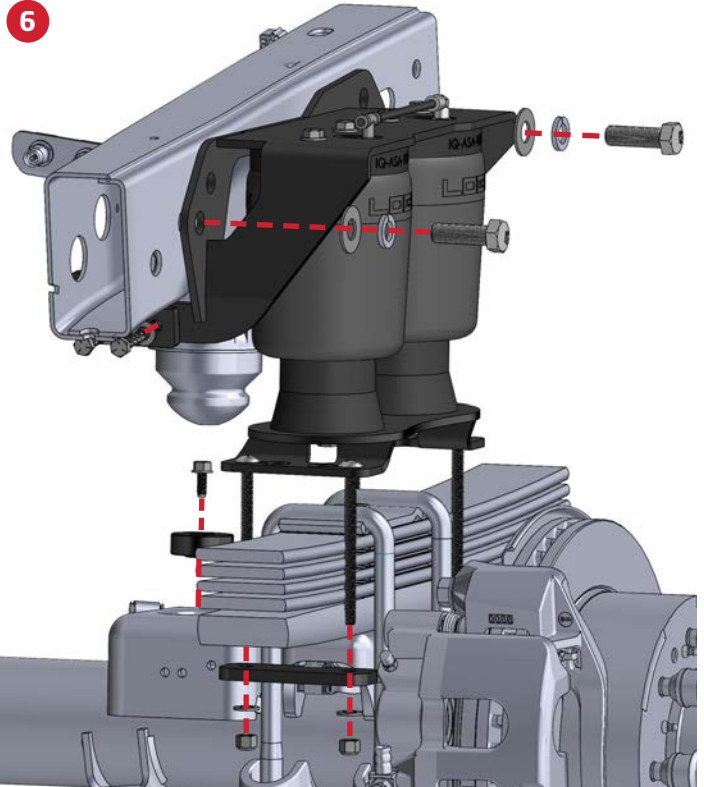
INSTALLATION PROCESS CONT'D

6

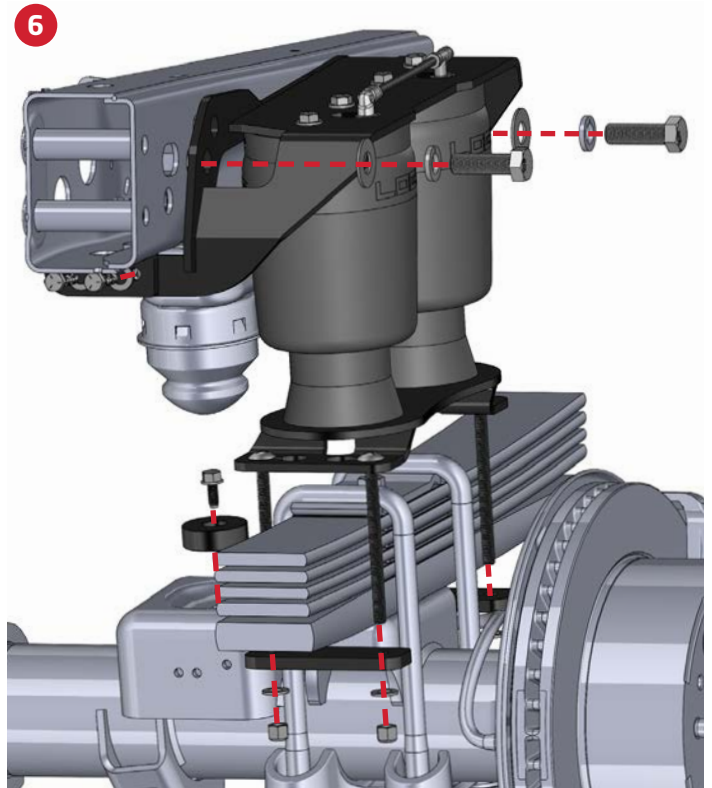
2016-2019 Trucks - Using the two lower holes on the air spring bracket, install washers, lock washers, and M16 bolts into the threaded weld nut on the frame. Torque to **110 lb.ft** using a 15/16" crowfoot. *See optional diagram if installing with an aftermarket 5th wheel hitch.



2016-2019 PASSENGER SIDE

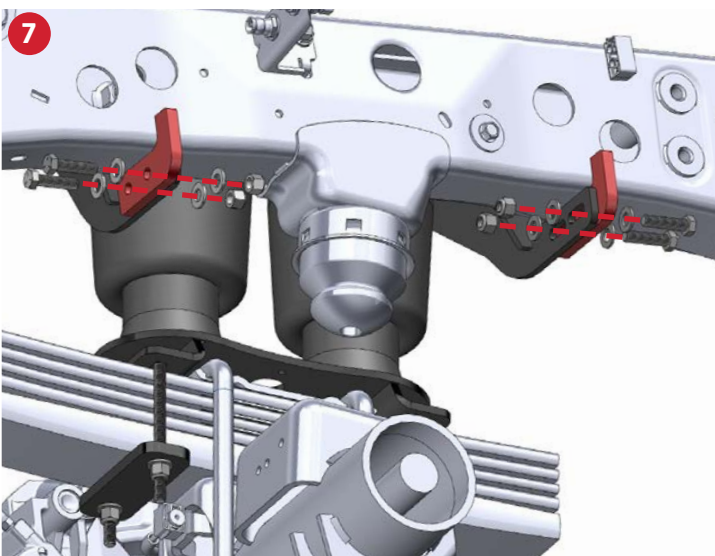
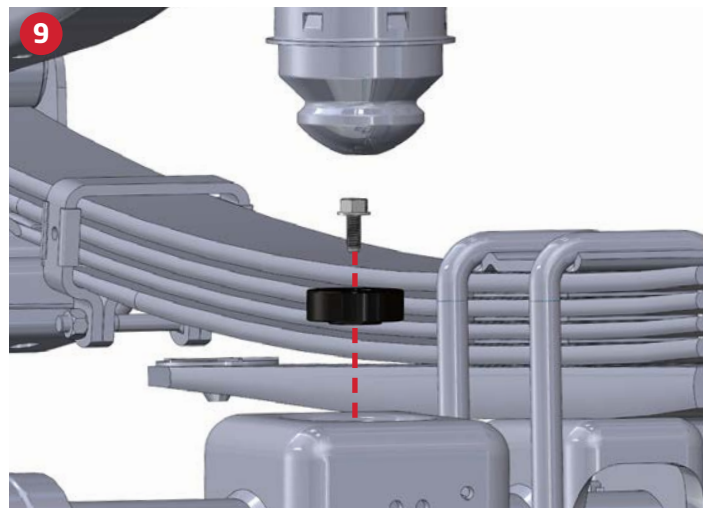
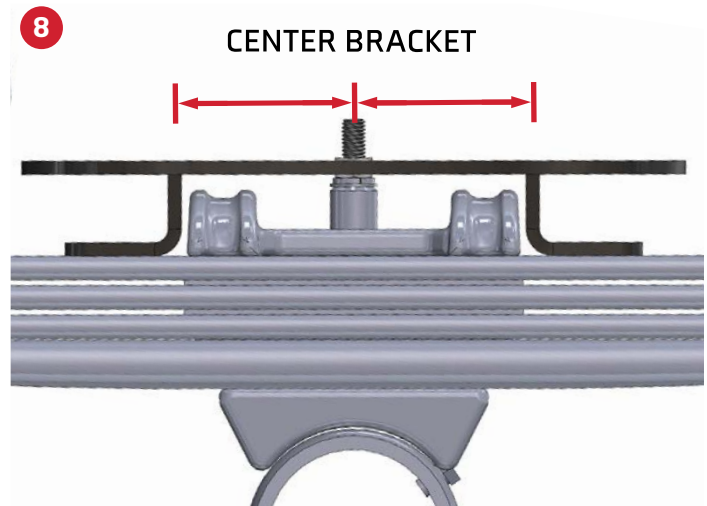
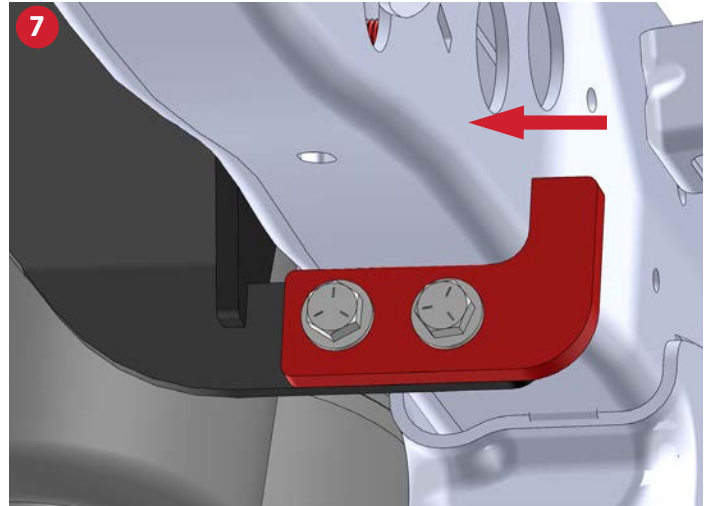


2016-2019 DRIVER SIDE



INSTALLATION PROCESS CONT'D

7	Install lower frame hooks as shown (hooks should be on the outside faces of the bracket). Snug the hardware and use a hammer to tap the hook tightly against the frame. If excess frame weld material interferes with hooks, grind welds flush to ensure proper fitment. Torque to 44 lb.ft.
8	Apply downward force to extend the air springs, then mount the lower bracket to the leaf springs using the supplied washers and nuts. Make sure that the lower bracket is centered over the U-bolt saddle. Torque to 20 lb.ft.
9	Install bump stop spacers onto the axle pad using the supplied thread forming bolts and red thread locker. Torque to 10 ft.lbs. DO NOT OVERTIGHTEN!
10	NOTE: If ABS wire harness makes contact with air spring assembly, flip connector around 180 degrees to avoid interference.
11	Mount inflation valves at desired location using a 5/16" drill bit.
12	Route air line from each inflation valve to each air fitting tee on both of the air spring assemblies. Avoid hot exhaust and sharp edges. Cut air line square and free from burrs with air line cutter or razor blade!
13	Final Safety Checks: <ul style="list-style-type: none"> • Check for leaks at fittings with soapy water • Check tire clearance to air spring (more than 1") • Verify all fasteners are torqued properly • Verify at least 10 psi in air springs before driving



OPTIONAL 5TH WHEEL HITCH DIAGRAM

(2016-2019 SHOWN)

***IMPORTANT NOTE - If installing ReadyAIR with a 5th wheel hitch, follow the hitch manufacturer's recommended torque specs for all hardware that uses the same mounting locations. Do not exceed ReadyAIR's max torque rating.**

