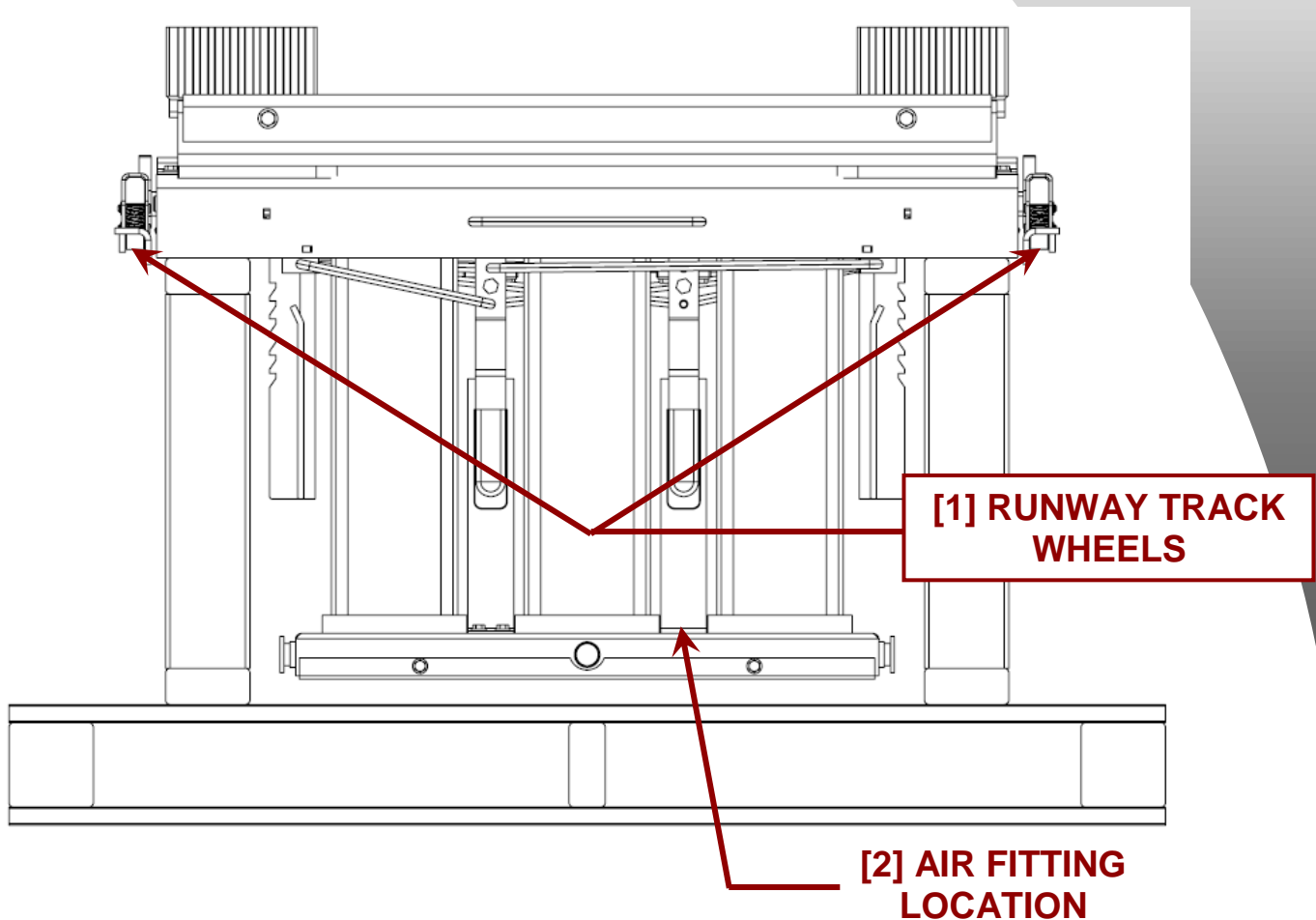


OPERATING INSTRUCTIONS

INSTALLATION INSTRUCTIONS

1. Remove plastic wrapping from jack(s) while still on pallet.
2. Lower rack so that jack rails are between 26" & 32" from the floor.
3. Using a pallet jack or forklift, move pallet containing jacks into position at the end of the rack.
4. Ensuring that wheels engage the jack rails, move pallet forward until jack(s) rests in place on jack rail
5. Remove strapping & pallet
6. Install male quick disconnect coupling into jack(s) to match current shop fittings (if required).
7. Install filter/regulator/lubricator, set to 100-160psi & 1 drop of oil per minute. The jack(s) will consume 20-30cfm of air.



!! CAUTION !!

Rolling jacks must be rotated into the horizontal (storage) position before lowering lift to the floor. Failure to do so may result in damage to jack or floor below lift.



SAFETY INSTRUCTIONS

- ★ Never overload jack. Capacity of Jack is listed on the capacity label as well as nameplate. Exceeding capacity is dangerous and may cause damage to jack, lift and injury. Do not exceed stated capacity.
- ★ Be watchful of pinch points on jack & lift; keep extremities out of these areas to avoid injury.
- ★ Do not place fingers or hands in, on, around, or near moving components while jack is attached to air supply.
- ★ Never allow untrained or unauthorized personnel to operate jack.
- ★ Fully train all employees on the proper use and care of jack.

OPERATING INSTRUCTIONS

Before operating jack, it is necessary to fully read and understand this instruction packet, & the safety instructions. It is also recommended to dry run the jack before lifting a vehicle to become familiar with its operation and to help bleed off air lines.

While avoiding any pinch points, follow instructions below to lift a vehicle ensuring that capacity of jack is not exceeded:

1. Elevate lift above 36" from floor.
2. Rotate yellow "PIVOT" handle clockwise and swing jack into vertical operating position, ensuring that it is locked into the safety position.
3. Roll jack into position below vehicle, pull slides out to align with manufacturer's recommended pick up points. Extension pads may be stacked 2 high, use as needed to eliminate clearance to lift points.
4. Ensure a minimum 12" of clearance above vehicle to nearest overhead obstruction. Failure to do so can lead to vehicle damage, building damage, jack damage, and personal injury. **DO NOT** lift if clearance is less than 12".
5. To lift vehicle, ensure air supply is connected & depress both black mushroom buttons (marked "RAISE") on either side of the jack simultaneously. Continue lifting until jack is extended past the ratcheting locks. Slowly lower vehicle using the yellow ("LOWER") button until ratcheting lock is engaged.
6. **DO NOT** work on any vehicle if ratcheting locks are not engaged.
6. To lower vehicle, "RAISE" until jack is above ratcheting locks. Rotate red "RELEASE" handle clockwise until locks are clear of teeth. While holding handle in place, press the yellow "LOWER" button located on the front of the jack at the bottom in the middle. Keep all body parts clear of jack until jack is in its lowest position.
7. Remove any extension pads and replace in storage location.
8. Once the jack is lowered into the storage position and all blocks are in a secure location, Move yellow "PIVOT" handle clockwise and gently rotate jack into the storage position (parallel to floor) until it has locked in place.
9. Move jack(s) to the front of the lift ensuring they are locked in place.
10. Lower lift and drive vehicle off.

!! WARNING !!

DO NOT disable or override the built in safety measures. Serious injury, property damage, or death may result.



!! CAUTION !!

DO NOT attempt to operate jack in horizontal (storage) position. Returning to the vertical position after operating while horizontal becomes very difficult.



MAINTENANCE INSTRUCTIONS

To avoid personal injury and damage to jack, permit only qualified personnel to perform maintenance on jack(s). If you are not completely familiar with general automotive lift maintenance procedures, stop and contact manufacturer for instructions.

DAILY:

- ★ Inspect & repair or replace all loose bolts & damaged or broken components.
- ★ Inspect Jack adapters for excessive wear or damage & replace as needed.
- ★ Inspect air system for leaks and basic function.
- ★ Inspect linkage rods, handles, buttons, and springs for damage and wear, replace as needed.

MONTHLY:

- ★ Inspect wheels & roller assemblies for damage, wear & tear, and dirt and debris in mechanism. Clean, lubricate, repair & replace components as needed.
- ★ Clean Jack & inspect for rust.

SEMI-ANNUALLY:

- ★ Lubricate sliding lock mechanism & inspect for damage and wear. Replace at first sign of damage.
- ★ Check for accumulated fluid in control housing.

EVERY 2 YEARS:

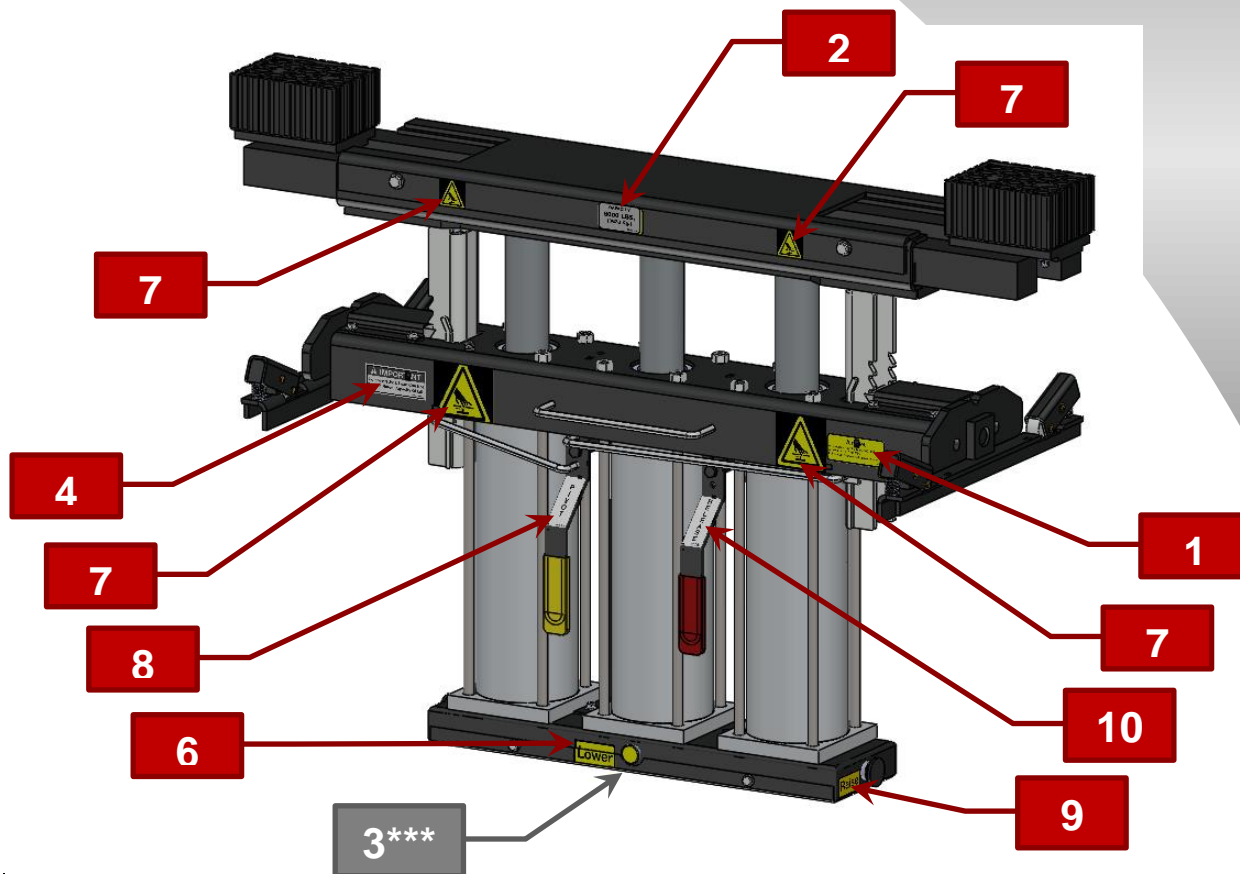
- ★ Disassemble air cylinders, inspect seals & lubricate seals with marine grade grease.
- ★ Check all labels on jack for legibility & make sure no labels are missing. Replace as needed.

TROUBLESHOOTING

SYMPTOM	PROBLEM	FIX
Jack will not start when black buttons are simultaneously pushed. Jack starts, but stalls while lifting.	<ol style="list-style-type: none">1. Leak in air cylinder2. Plugged air filter3. Water in cylinder4. Restricted or kinked air line5. Leak in air line6. Insufficient air supply	Repair / replace cylinder Replace air filter Drain & repair cylinder, replace if needed Locate & correct restriction Locate & repair leak <i>Correct supply (100-160psi, 20-30cfm)</i>
Jack moves, but stops completely when contacting load.	<ol style="list-style-type: none">1. Jack loaded beyond capacity2. Cylinder leakage3. Insufficient air pressure	Use jack only to documented capacity Perform service on cylinder Increase pressure, DO NOT exceed 160psi
Jack drifts instead of holding position.	<ol style="list-style-type: none">1. Lock release mechanism damaged or missing parts2. Air-line leakage3. Cylinder leakage4. Damaged locks	Repair parts & replace missing parts Find and repair line leak Perform service on cylinder Inspect locks for damage, if damaged, replace
Jack is slow to lower, or does not lower at all.	<ol style="list-style-type: none">1. Jack locking latch engaged2. Lock release mechanism damaged or missing parts3. Restricted or kinked air line	Disengage lock via latch Repair parts & replace missing parts Locate & correct restriction
Jack rises in jerking fashion	<ol style="list-style-type: none">1. Water in cylinder	Drain & repair cylinder, replace if needed
Jack will not pivot to vertical after being operated in the horizontal position.	<ol style="list-style-type: none">1. Jack was operated in horizontal position	<ol style="list-style-type: none">1. Locate one person on each side of jack2. Move jack until outriggers are in contact with jack stops at end of lift3. One person should move the red ("RELEASE") handle & depress the yellow button4. The other person should push the support beam until the jack is in its' fully lowered position & can be pivoted.

LABEL LOCATION DIAGRAM & REPLACEMENT GUIDE

Prior to the application of any label be sure to thoroughly clean and prepare the surface with rubbing alcohol.



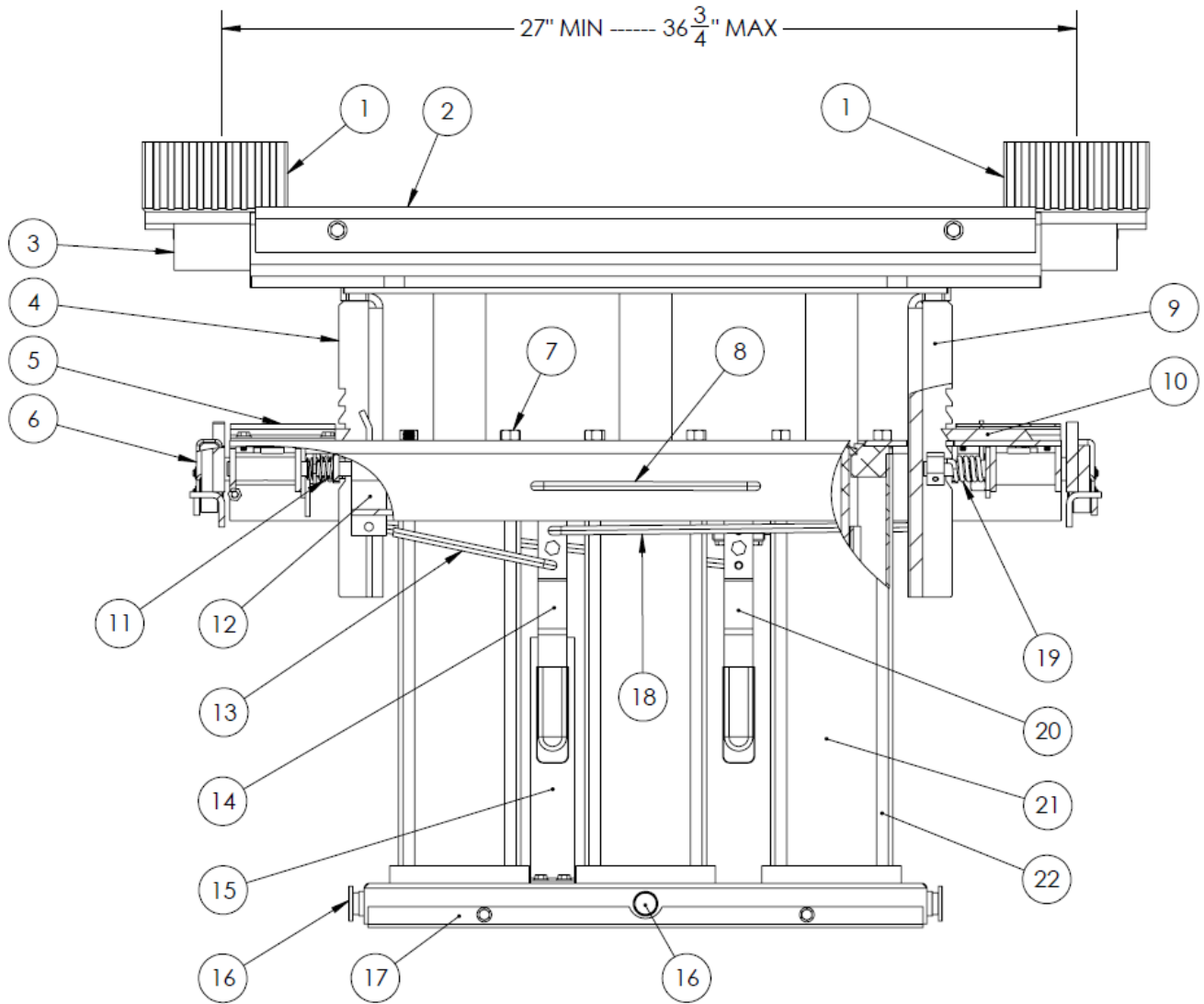
#	DESCRIPTION	QTY
1	AIR INLET INFORMATION DECAL	1
2	CAPACITY LABEL	1
3	HORIZONTAL OPERATION LABEL ***	1
4	IMPORTANT NOTICE LABEL	1
5	LIFT PART NUMBER & SERIAL NUMBER NAMEPLATE **	1
6	LOWER DECAL	1
7	PINCH WARNING DECAL	4
8	PIVOT DECAL	1
9	RAISE DECAL	2
10	RELEASE DECAL	1
11	SAFETY INSTRUCTION DECAL	1
12	SECOND SAFETY INSTRUCTION DECAL **	1

****LABEL LOCATED ON BACK OF DEVICE**

*****LABEL LOCATED ON BOTTOM OF DEVICE**

Labels for this device are sold as a label kit, manufacturer part number 203-600.

REPLACEMENT PART DIAGRAM & PART NUMBER GUIDE



#	PART#	DESCRIPTION	QTY
1	FJ2428-D	RUBBER PAD – DRILLED	2
2	203-3-3Q-H	LIFTING SUPPORT BEAM	1
3	203-4-3-8K	LIFT PAD	2
4	203-121-L	LOCK LADDER LEFT	1
5	203-117	PAWL COVER	2
6	203-2-3-8K-H3	OUTRIGGER FOR RACK	2
7	H-SJ HW KIT	HARDWARE KIT	1
8	203-120	PULL HANDLE	1
9	203-121-R	LOCK LADDER RIGHT	1
10	203-116-5	LOCK DOG	2
11	SJI30026	RETRACTION SPRING	4

#	PART#	DESCRIPTION	QTY
12	203-122	LINK PULL BRACKET	4
13	203-126-H	LINK ROD – SHORT	2
14	203-124-3	PIVOT HANDLE	1
15	203-511-3-H	STORAGE TRAY	1
16	203-5-3-H	CONTROL BOX	1
17	203-510-H	CONTROL BOX BOTTOM	1
18	203-127-H	LINK ROD – LONG	2
19	98-119	TORSION SPRING LH	1
20	203-125-3	LOCK RELEASE HANDLE	1
21	203-7	CYLINDER ASSEMBLY	3
22	DBLS0502050CZ	DOUBLE END STUD	12

WARRANTY INFORMATION

Your Swing Air Jack has been thoroughly tested and is guaranteed for a period of 12 months from the date of delivery. Under the terms of this guarantee, all components which are proven to be defective within the warranty period will be repaired or replaced free of charge. Our technical service assistance is the sole authority in determining whether or not defects come under the coverage of the guarantee. The guarantee excludes all responsibility on the part of Quality Stainless Products (QSP) for direct or indirect loss or damage to persons or things deriving from incorrect operation or servicing of this product. This guarantee is limited to defects in materials, workmanship and assembly, and excludes all components subject to normal wear. Furthermore, the guarantee excludes return shipping of defective part(s) to QSP. QSP will however ship the replacement part by standard ground service at no charge.

Parts Department: 888-473-5378